

## HN-P-6M Series Lens

### HN-P-3528-6M-C2/3

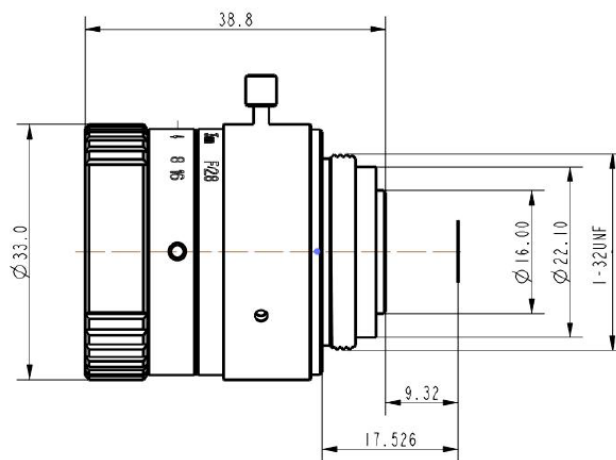


- F=35mm
- 2.4  $\mu$  m
- F2.8
- for 2/3 type Cameras, 6 Megapixel
- Ultra-low optical distortion
- Miniaturized structure

#### Specifications

Model	HN-P-3528-6M-C2/3	
Sensor Size	2/3"	
Pixel size ( $\mu$ m )	2.4	
Focal Length (mm)	35 $\pm$ 5%	
Total Track Length (mm)	41.07 $\pm$ 0.2	
Flange distance (mm)	17.526 $\pm$ 0.2	
F/No.	F2.8-F16	
Angle of View (D $\times$ H $\times$ V)	18.24 $^{\circ}$ $\times$ 14.70 $^{\circ}$ $\times$ 11.06 $^{\circ}$	
Distortion (%)	Optical Distortion	$\pm$ 1.0
	TV Distortion	0.25
Basic Working Distance (mm)	500	
Focus Range	0.2m- $\infty$	
Filter Thread (mm)	M30.5 $\times$ 0.5	
Mount	C $\square$	
Dimensions (mm)	$\Phi$ 33.0 $\times$ 30.6(w/o thread)	
Weight	62g	

#### Technical Drawing



China Daheng Group, Inc. Beijing Image Vision Technology Branch

12F Daheng Science & Technology Tower, No.3 Suzhou Street, Haidian District, Beijing China, 100080

Tel: +86 10 82828878

E-mail: isales@daheng-imaging.com